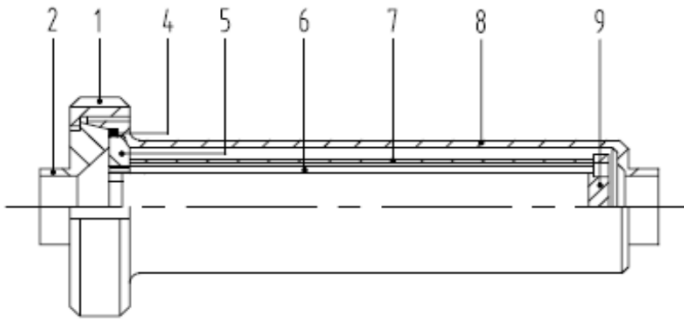


Application: Filters are designed to remove particles from fluid processing lines. The product flows through a filtering cartridge where particles exceeding the cartridge hole size are trapped.

Features: They offer low flow resistance and minimum pressure drop. The filtering cartridges are available with a wide range of hole sizes, from 4 mm to 26 microns.

The cartridges are easily extractable for cleaning and servicing. Inline filters need to be removed from the pipeline for cleaning. 90° filters do not need to be removed for cleaning as cartridges are extractable online.

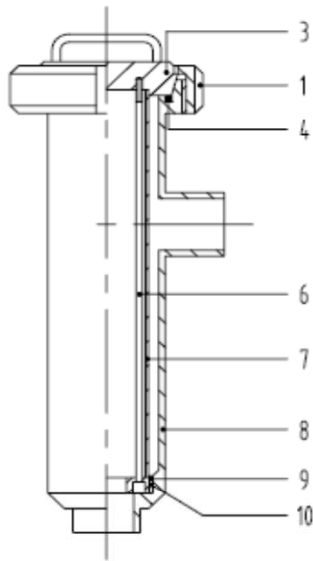
Components: Inline filter:



PARTS LIST		
1	Nut	Aisi 304L/Aisi 316L
2	Plain connection	Aisi 304L/Aisi 316L
4	Seal	NBR
5	Upper disk	Aisi 316L
6	Tie rod	Aisi 316L
7	Filter	Aisi 316L
8	Filter casing	Aisi 304L/Aisi 316L
9	Lower disk	Aisi 316L

Components:

Angular Filter:



PARTS LIST		
1	Nut	Aisi 304L/Aisi 316L
3	Blank	Aisi 304L/Aisi 316L
4	Seal	NBR
6	Tie rod	Aisi 316L
7	Filter	Aisi 316L
8	Filter casing	Aisi 304L/Aisi 316L
9	Lower disk	Aisi 316L
10	OR seal ring	NBR

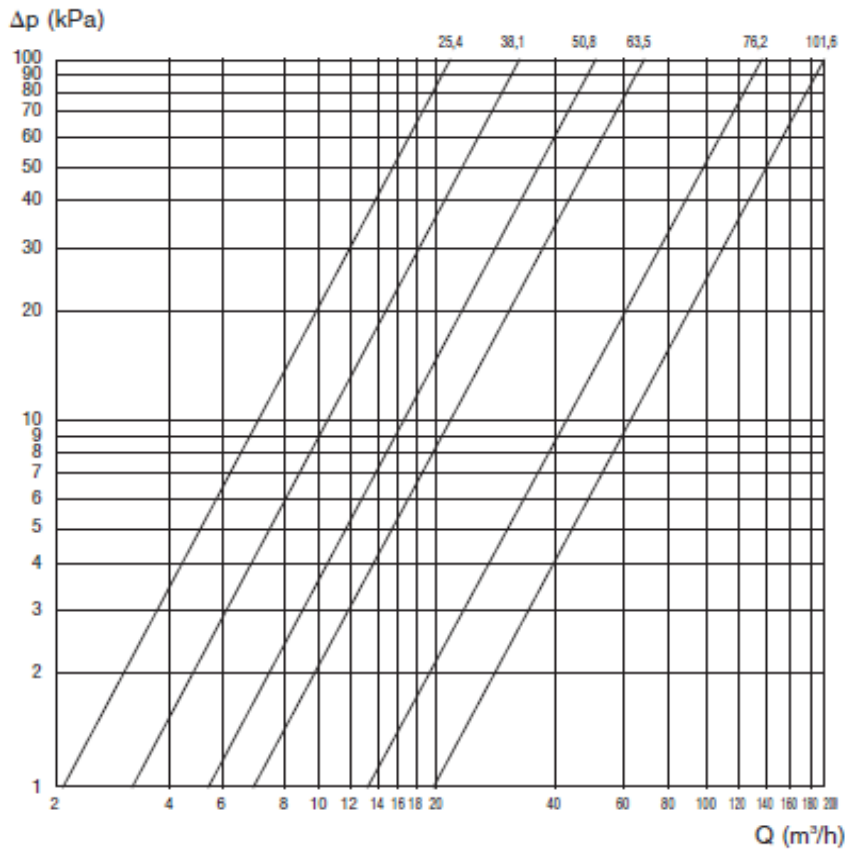
Technical Data: Max. product pressure: 500 kPa (5 bar).
Temperature range: -10°C +100°C (+15° +210°F).
Finish: 120 grit (max Ra 1.01-1.14 µm, 40-45 µ").
Production range: DN 28 to DN 101, 1" to 4".
Connections: welding end, threaded end, ferrule end.
Standards: DIN, SMS, RJT BS, IDF ISS, Clamp.
Steel grades: Aisi 304L, Aisi 316L.

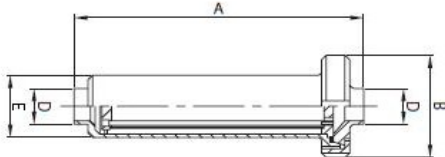
Flowrate:

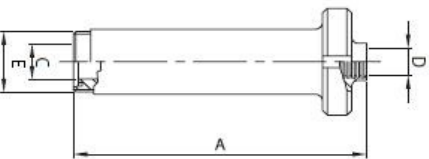
Flowrate m³/h

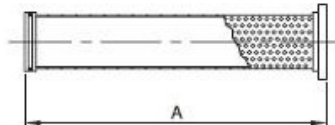
FILTER DIAM.	FLUID SPEED M/SEC			
	0.50	1.00	1.50	2.00
25.4	0.745	1.494	2.239	2.988
28	0.882	1.764	2.646	3.528
34	1.447	2.894	4.341	5.788
38.1	1.785	3.571	5.356	7.142
40	2.041	4.082	6.123	8.164
50.8	3.294	6.588	9.882	13.176
52	3.531	7.063	10.594	14.126
63.5	5.191	10.382	15.573	20.764
70	6.152	11.336	18.460	24.616
76.2	7.509	15.019	22.528	30.038
85	9.270	18.540	27.810	37.080
101.6	14.130	28.260	42.390	56.520

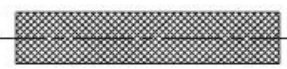
Pressure Drop:



<i>Line Filter DIN weld/weld</i> <i>Doorgangszeef DIN las/las</i>	NW	A	B	C	D	E
	25	320	112		28	70
	32	320	112		34	70
	40	320	112		40	70
	50	420	112		52	70
	65	516	127		70	85
	80	575	148		85	102
	100	700	148		104	129

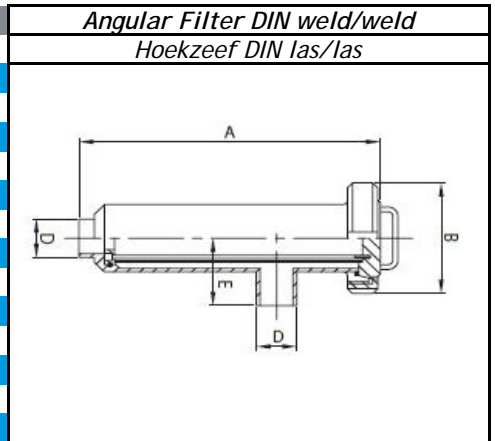
<i>Line Filter DIN weld/male</i> <i>Doorgangszeef DIN las/draad</i>	NW	A	B	C	D	E
	25	320		25	28	Rd 52x1/6"
	32	320		31	34	Rd 58x1/6"
	40	320		37	40	Rd 65x1/6"
	50	420		49	52	Rd 78x1/6"
	65	521		66	70	Rd 95x1/6"
	80	584		81	85	Rd 110x1/4"
	100	690		100	104	Rd 130x1/4"

<i>Line Filter cartridge</i> <i>Zeefinzet Doorgangsfiler</i>	NW	A	B	C	D	E
	25/40	271				
	51/52	371				
	63/70	466				
	76/85	516				
	101/104	621				

<i>Mesh covering</i> <i>Gas bekleding</i>	NW	Mesh			
	25/40	100/200	300	400	500
	51/52	100/200	300	400	500
	63/70	100/200	300	400	500
	76/85	100/200	300	400	500
	101/104	100/200	300	400	500

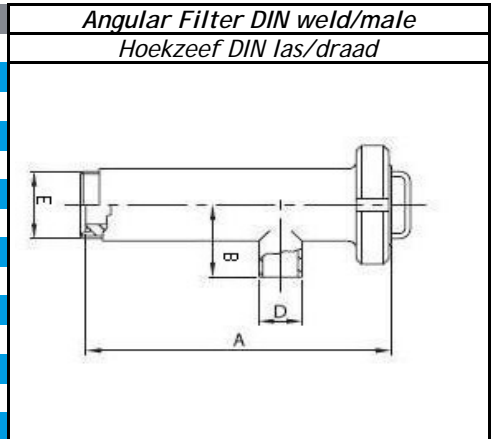
NW	A	B	C	D	E
25	306	112		28	70
32	306	112		34	70
40	306	112		40	70
50	406	112		52	72
65	503	127		70	85
80	561	148		85	96
100	662	148		104	117

For other measurements please contact us !



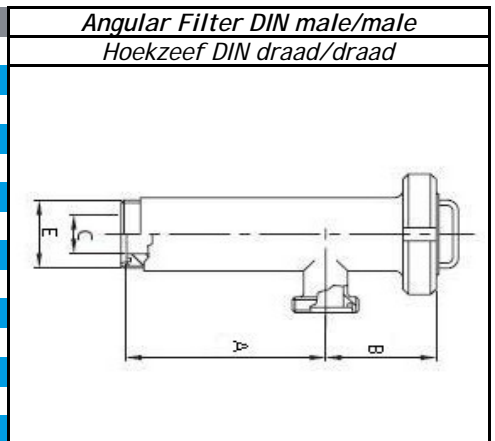
NW	A	B	C	D	E
25	300	70		28	Rd 52x1/6"
32	300	70		34	Rd 58x1/6"
40	300	70		40	Rd 65x1/6"
50	398	72		52	Rd 78x1/6"
65	495	85		70	Rd 95x1/6"
80	553	96		85	Rd 110x1/4"
100	642	117		104	Rd 130x1/4"

For other measurements please contact us !



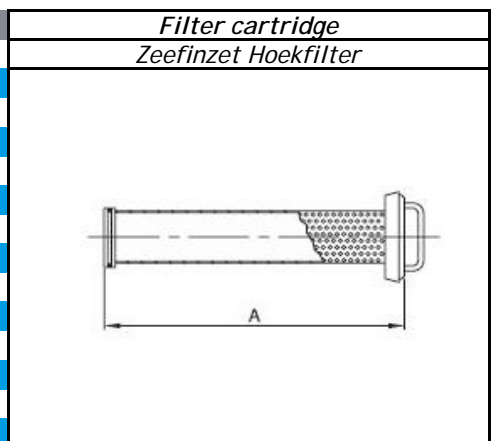
NW	A	B	C	D	E
25	200	100	25		Rd 52x1/6"
32	200	100	31		Rd 58x1/6"
40	200	100	37		Rd 65x1/6"
50	283	115	49		Rd 78x1/6"
65	378	117	66		Rd 95x1/6"
80	422	131	81		Rd 110x1/4"
100	522	120	100		Rd 130x1/4"

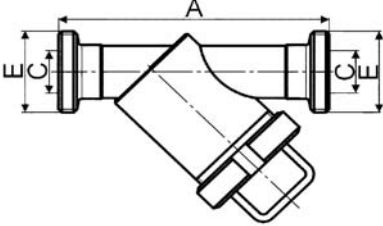
For other measurements please contact us !

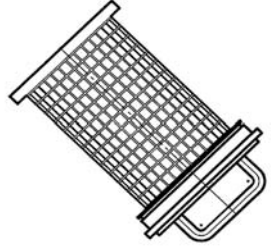


NW	A	B	C	D	E
25/40	278				
51/52	378				
63/70	473				
76/85	527				
101/104	636				

For other measurements please contact us !



<i>Dirt collecting Filter</i> <i>Vuilverganger</i>	NW	A	B	C	D	E
	25	163		26		Rd 52x1/6"
	32	180		32		Rd 58x1/6"
	40	210		38		Rd 65x1/6"
	50	220		50		Rd 78x1/6"
	65	280		66		Rd 95x1/6"
	80	320		81		Rd 110x1/4"
	100	370		100		Rd 130x1/4"

<i>Strainer dirt collecting Filter</i> <i>Vuilvergangerinzet</i>	NW	A	B	C	D	E
	25	128				
	32	129				
	40	141				
	50	173				
	65	248				
	80	279				
	100	287				